

1 2 3 4 5 6

complete length when assembled app. 42

assembly aid enclosed

A (2:1)

contact face acc. to IEC 61076-2-101

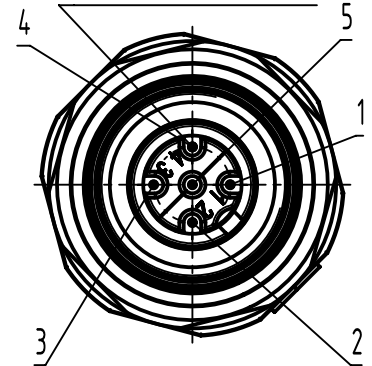
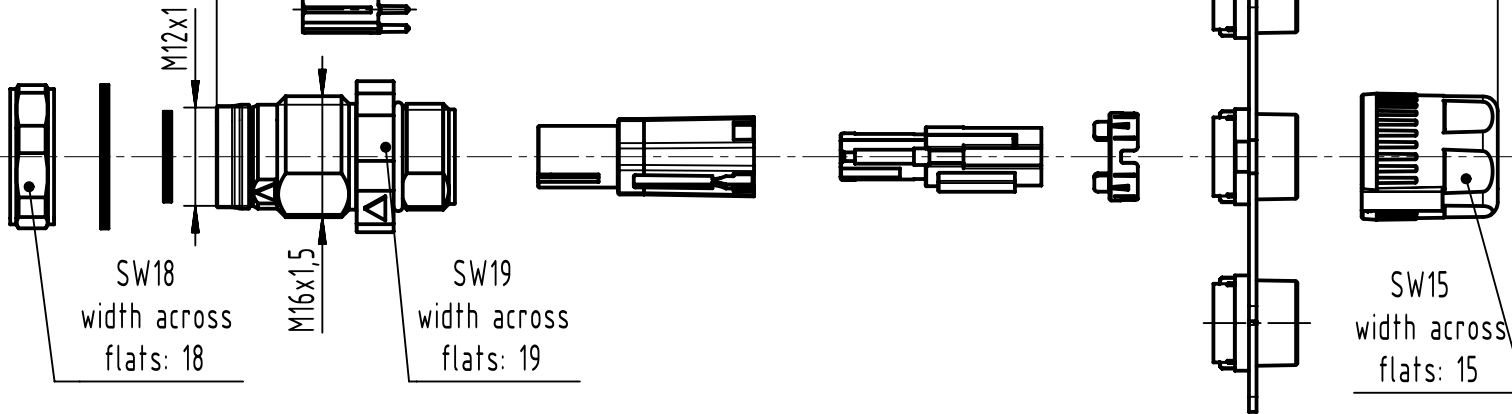
A

A

B

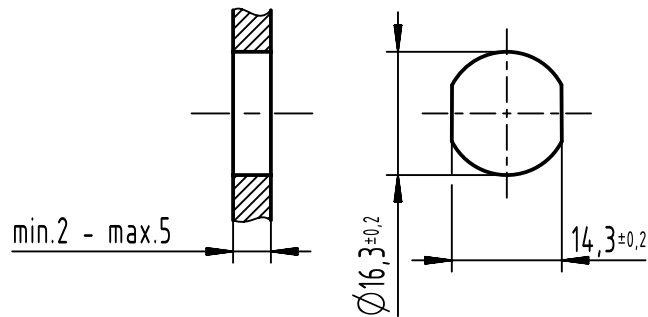
C

D



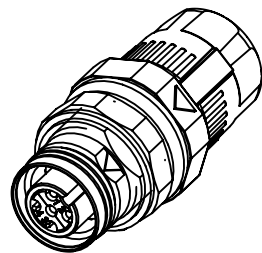
panel thickness

Panel cut out (1:1)



recommended torque of counter nut: 2Nm
order contacts separately

cable \varnothing			wire gauge	contact part-no.
5,7 - 6,9mm	6,5 - 7,7mm	7,5 - 8,8mm		
sealing			AWG 26-22	09 67 000 5476
A	B	C	AWG 24-20	09 67 000 8476
			AWG 22-18	09 67 000 3476



All Dimensions in mm
Original Size DIN A4

Scale
1:1

Free size tol.

Ref.

Sub.



All rights reserved

Created by
BALSAN

Inspected by
FARCASIU

Standardisation
ROEBEN

Date
2021-09-13

State
Final Release

HARTING
D-32339 Espelkamp

Title
M12 PFT Crimp SD Female 4+5pole A-coded

Doc-Key / ECM-Nr.
100707625/UGD/001/E
500000201075

Type
TB

Number
21038212525

Rev.
E

Page
1/1